

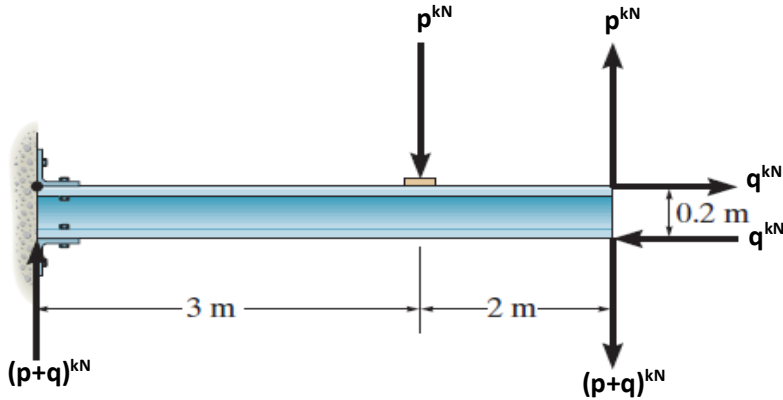
ASSIGNMENT 1

p : Last digit of your student number

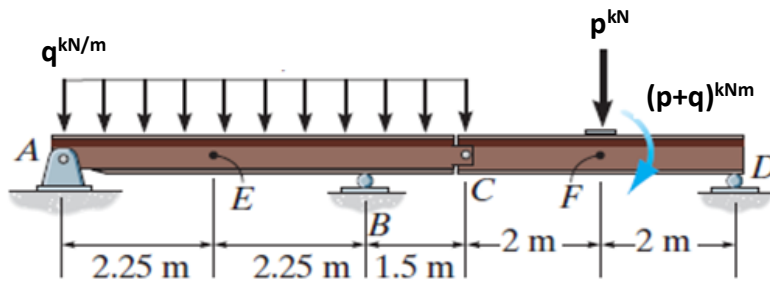
q : Previous digit

e.g. : 15073695 → p=5, q=9 (Note : If p is equal 0 , take it 3; if q is equal to 0, take it 2 please)

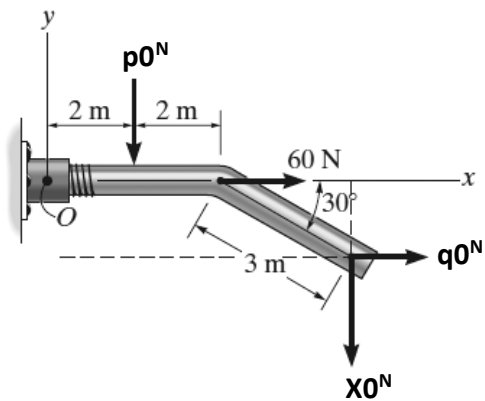
Q1) Determine the net moment due to the couples.



Q2) Determine resultant moment and force in a) E point b) F point



Q3) Attain the X force if the resultant moment of four forces according to O point is zero.



(Note : In all the questions, the supports will not be taken into consideration. Consider only loads and moments according to a point on the beam)