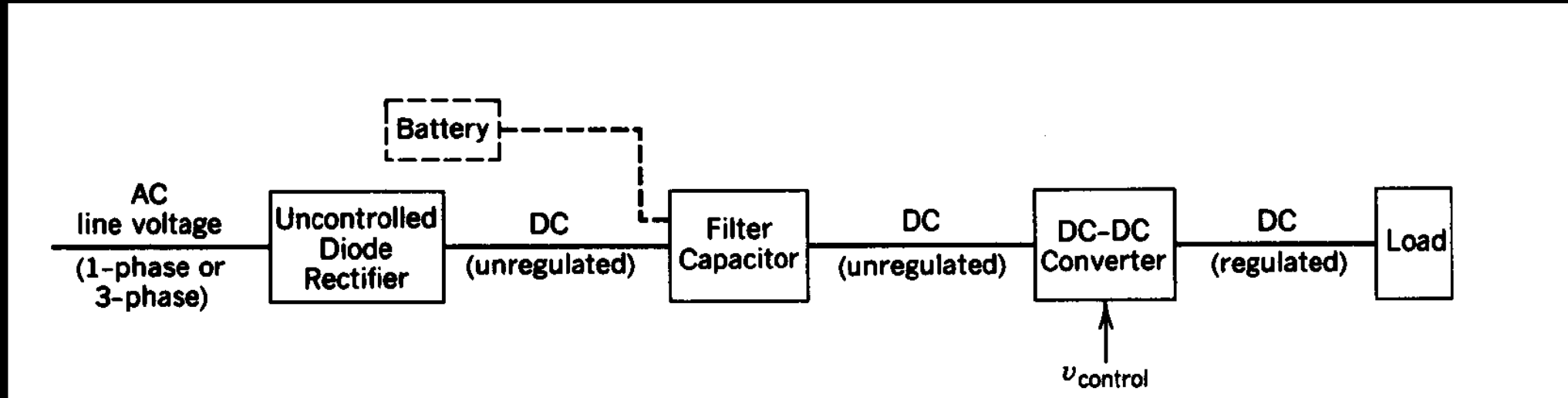

POWER ELECTRONIC

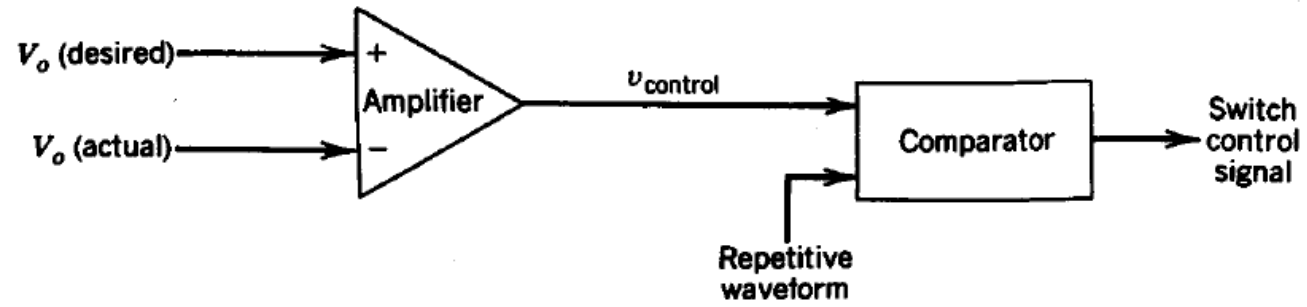
5

2021, Istanbul

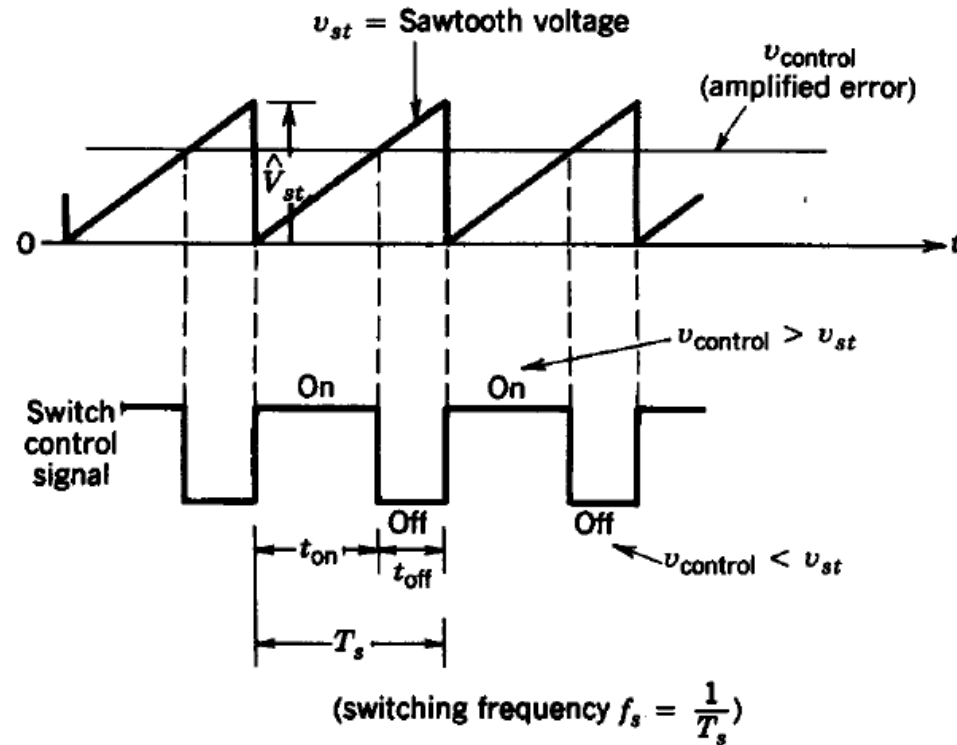
Dc-Dc Converters



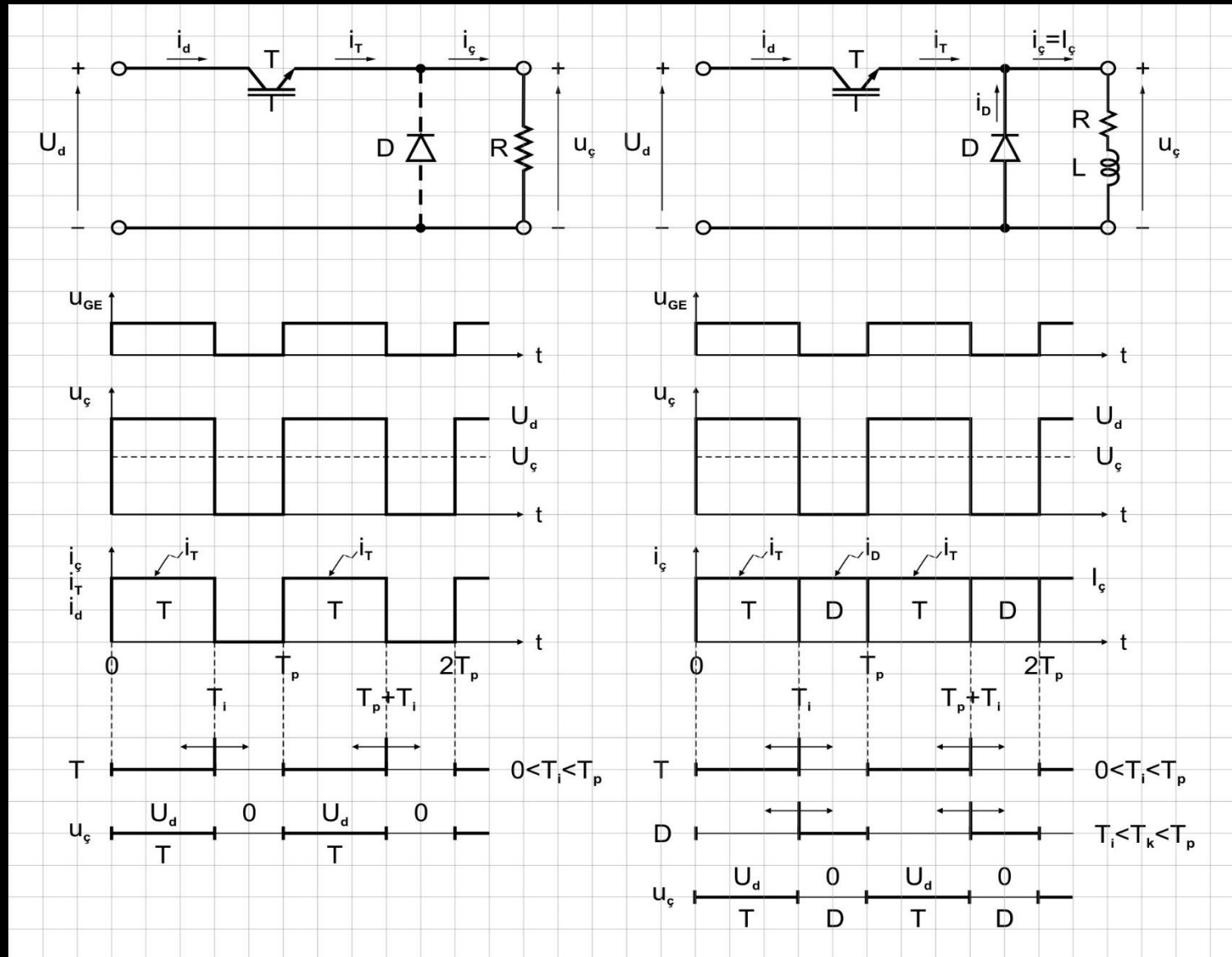
Dc-Dc Converters



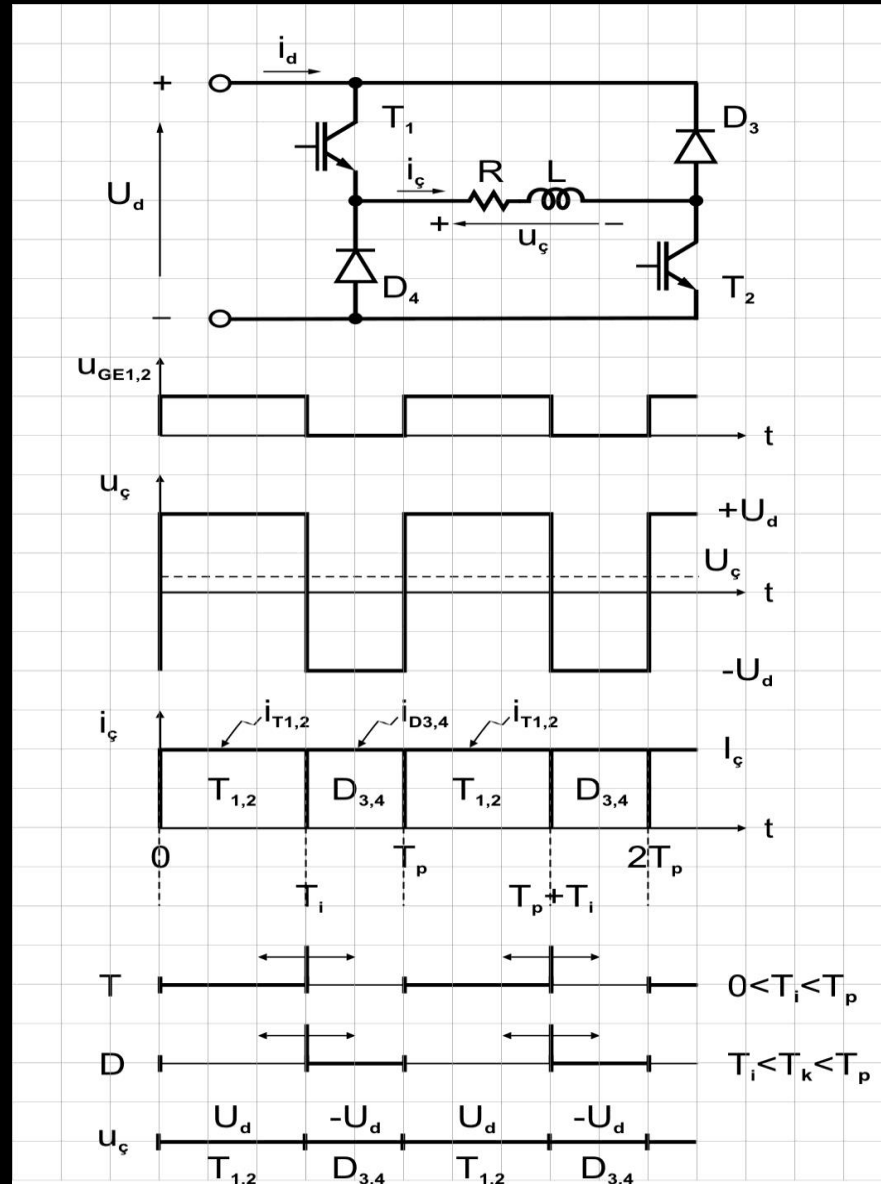
(a)



Dc-Dc Converters

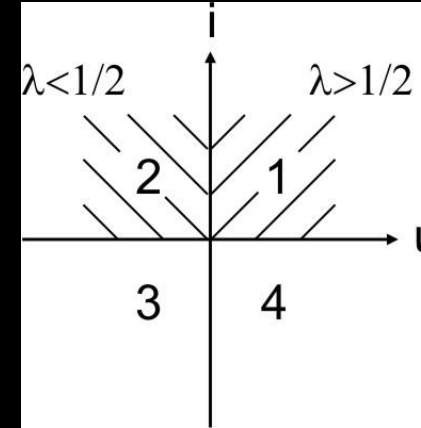
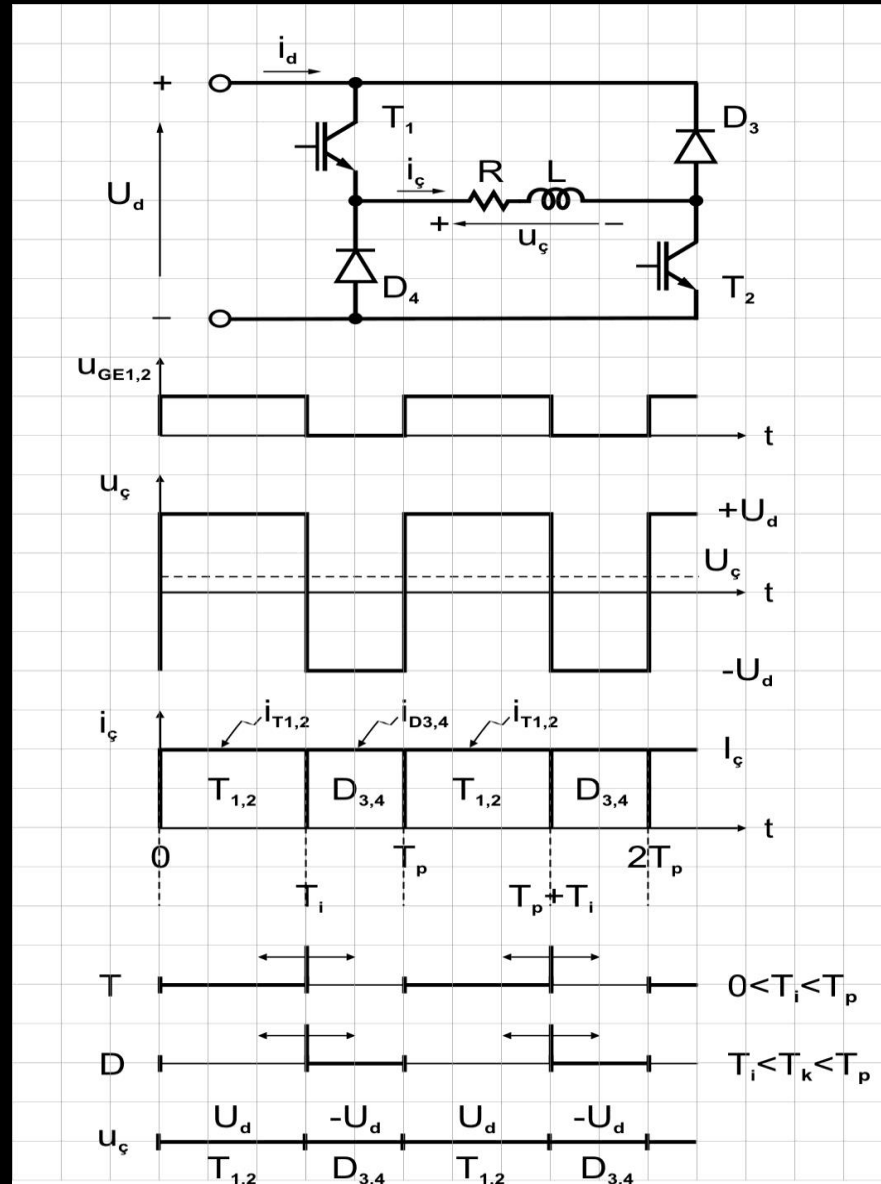


Dc-Dc Converters

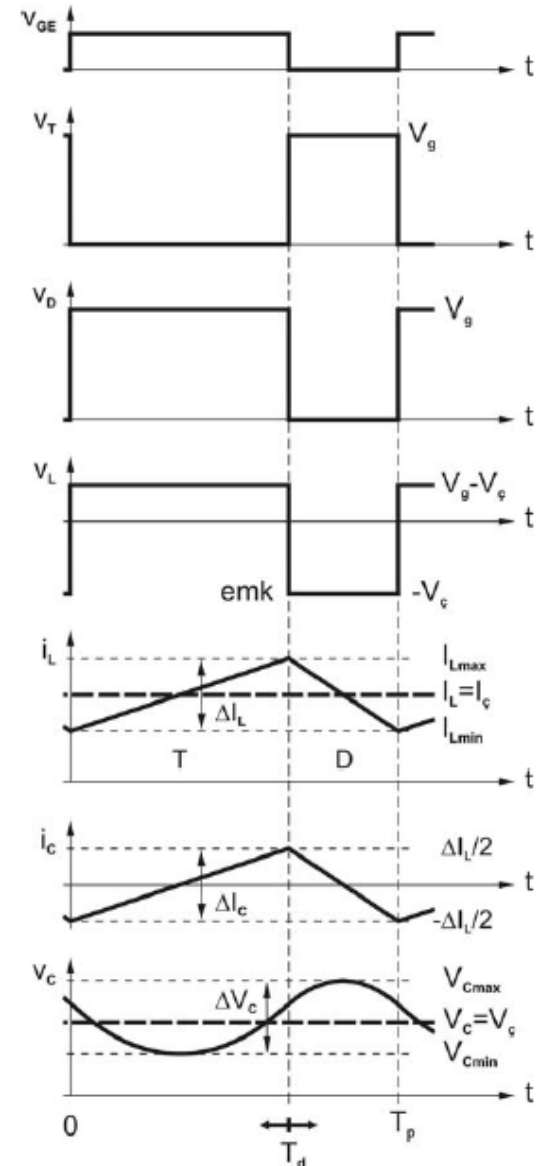
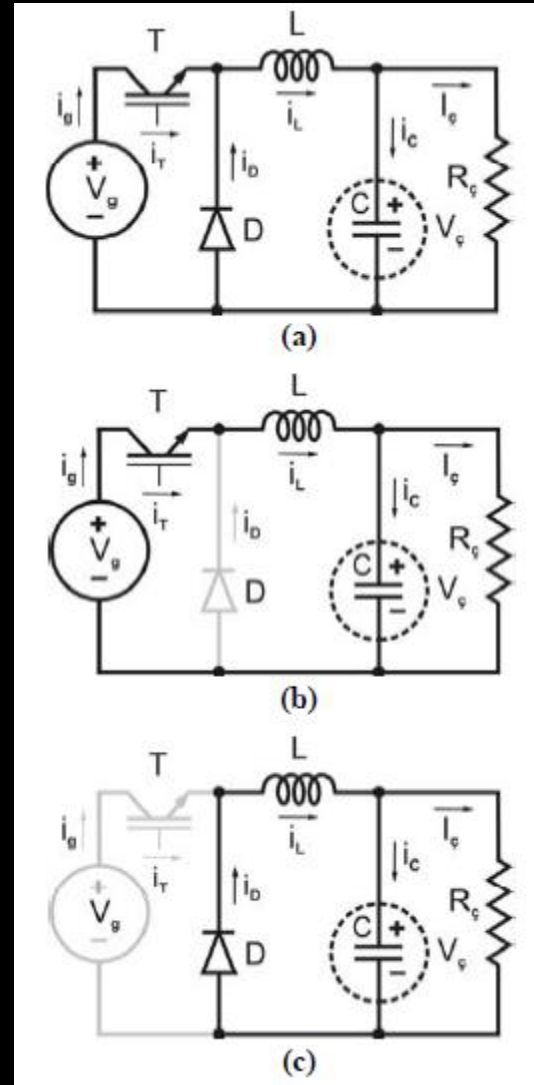


?

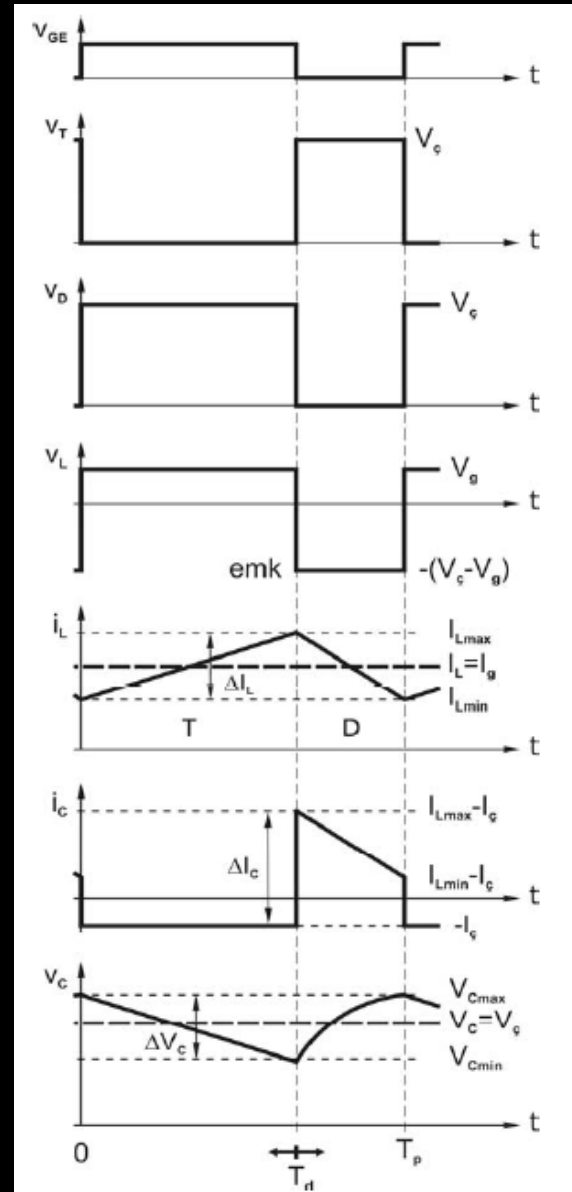
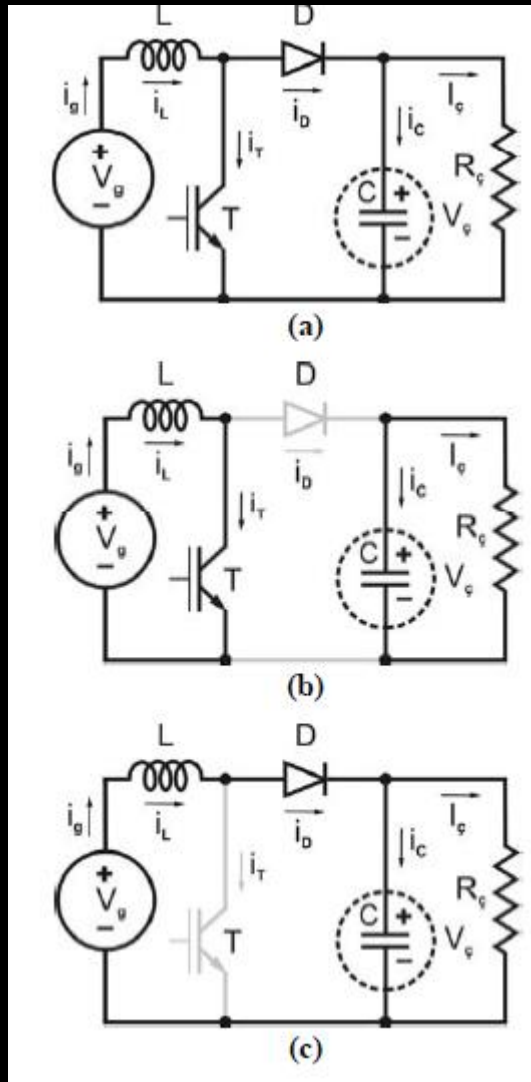
Dc-Dc Converters



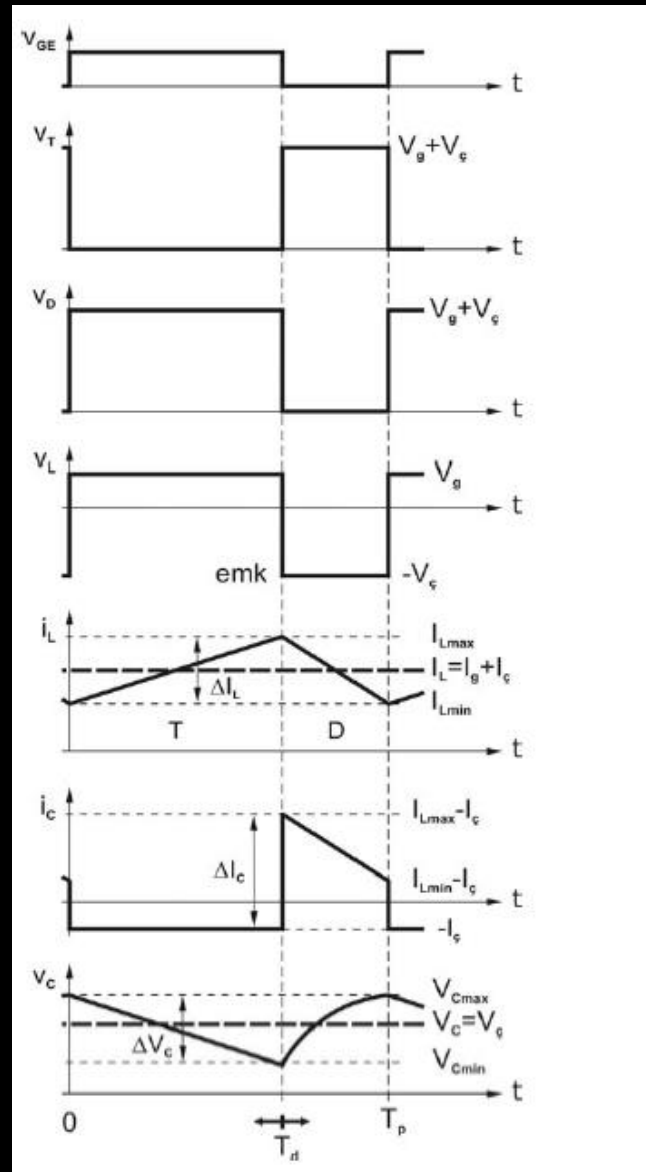
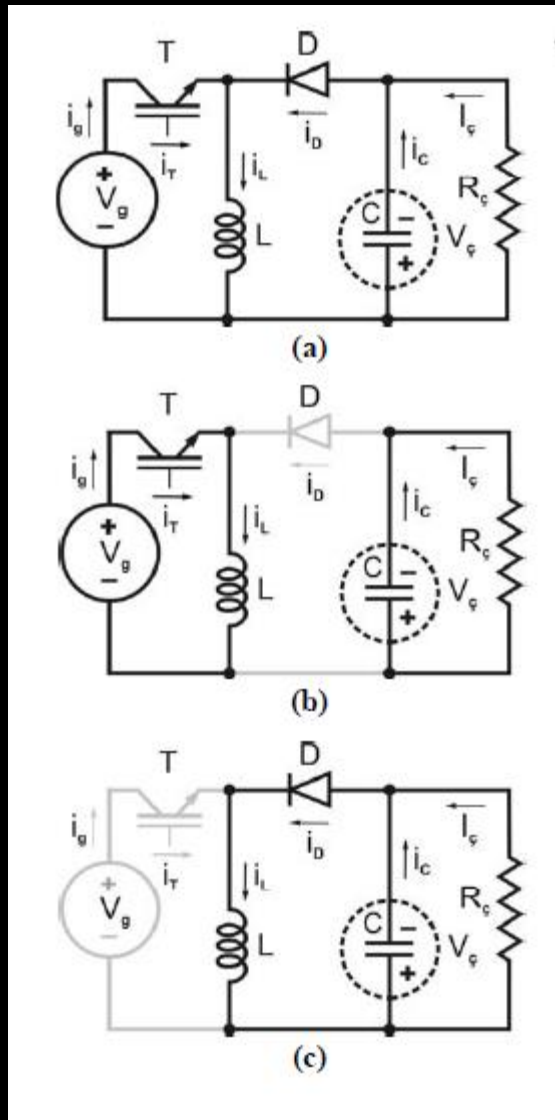
Step-down (Buck) Converters



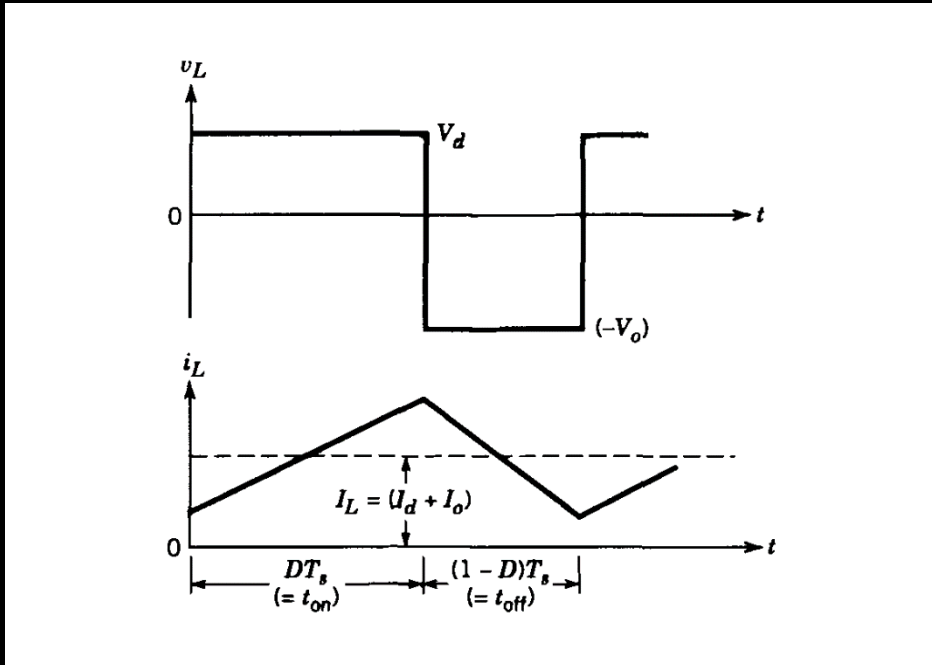
Step-up (Boost) Converters



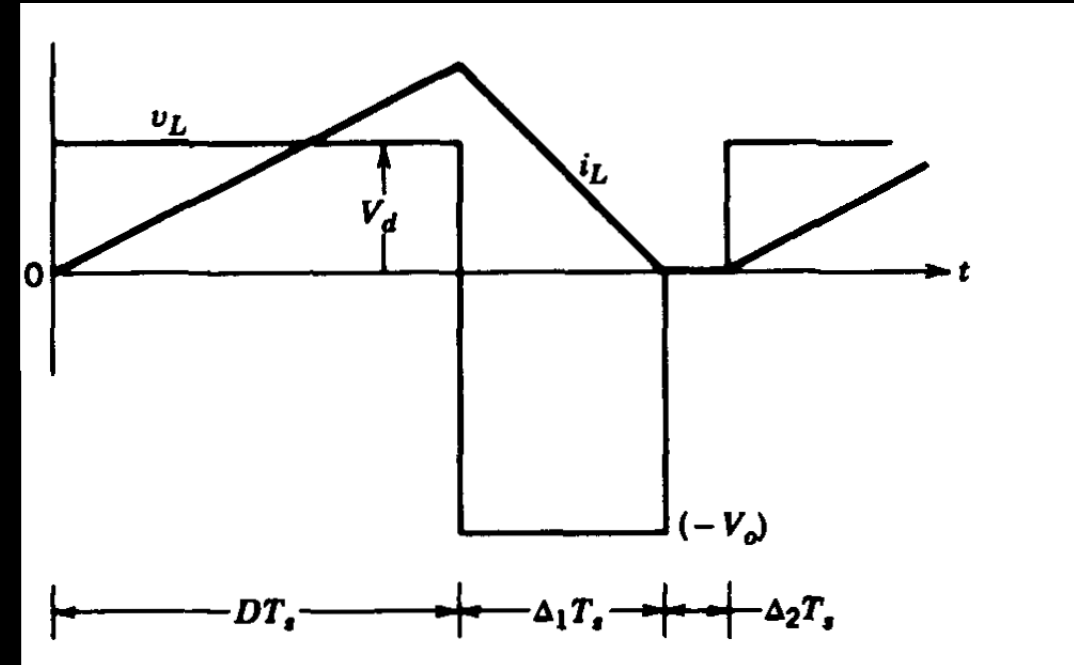
Step-down/Step-up (Buck-Boost) Converters



Control of Dc-Dc Converters



Continuous Current Mode (CCM)



Discontinuous Current Mode (DCM)