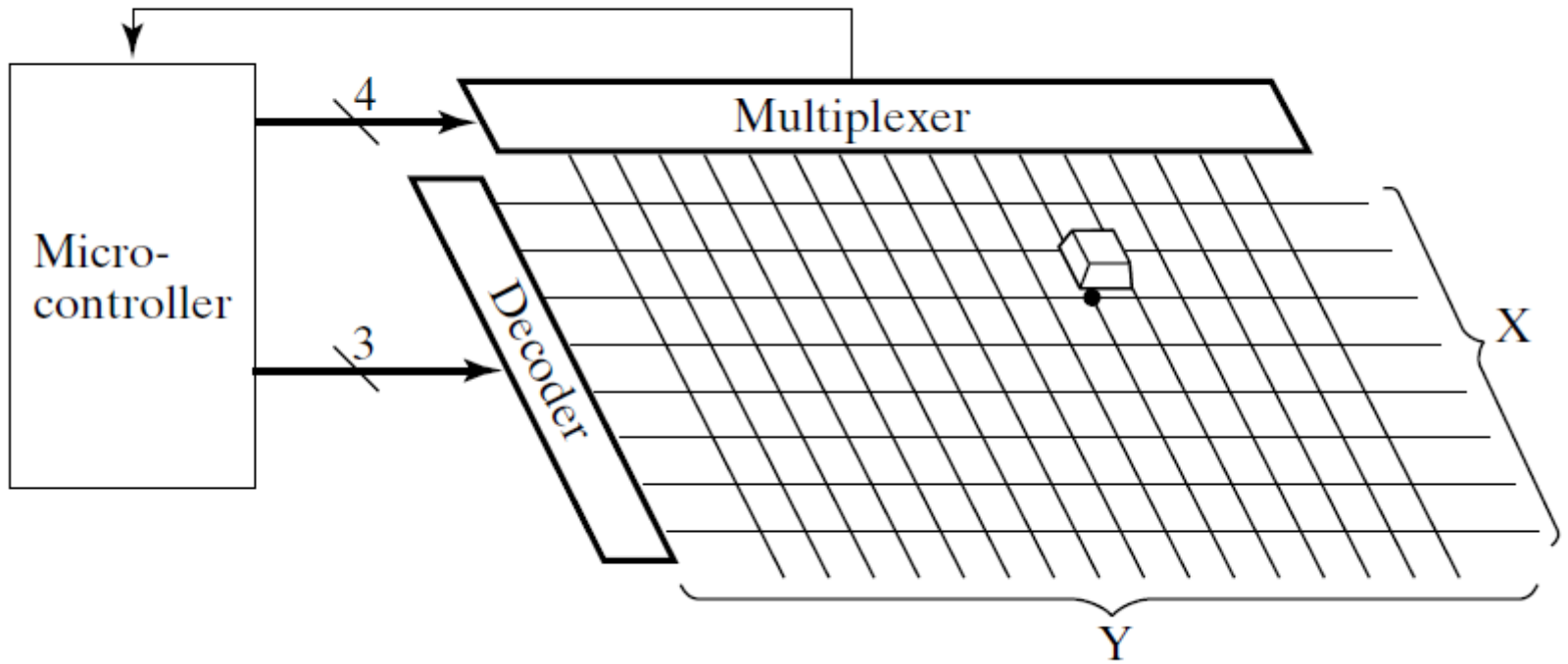
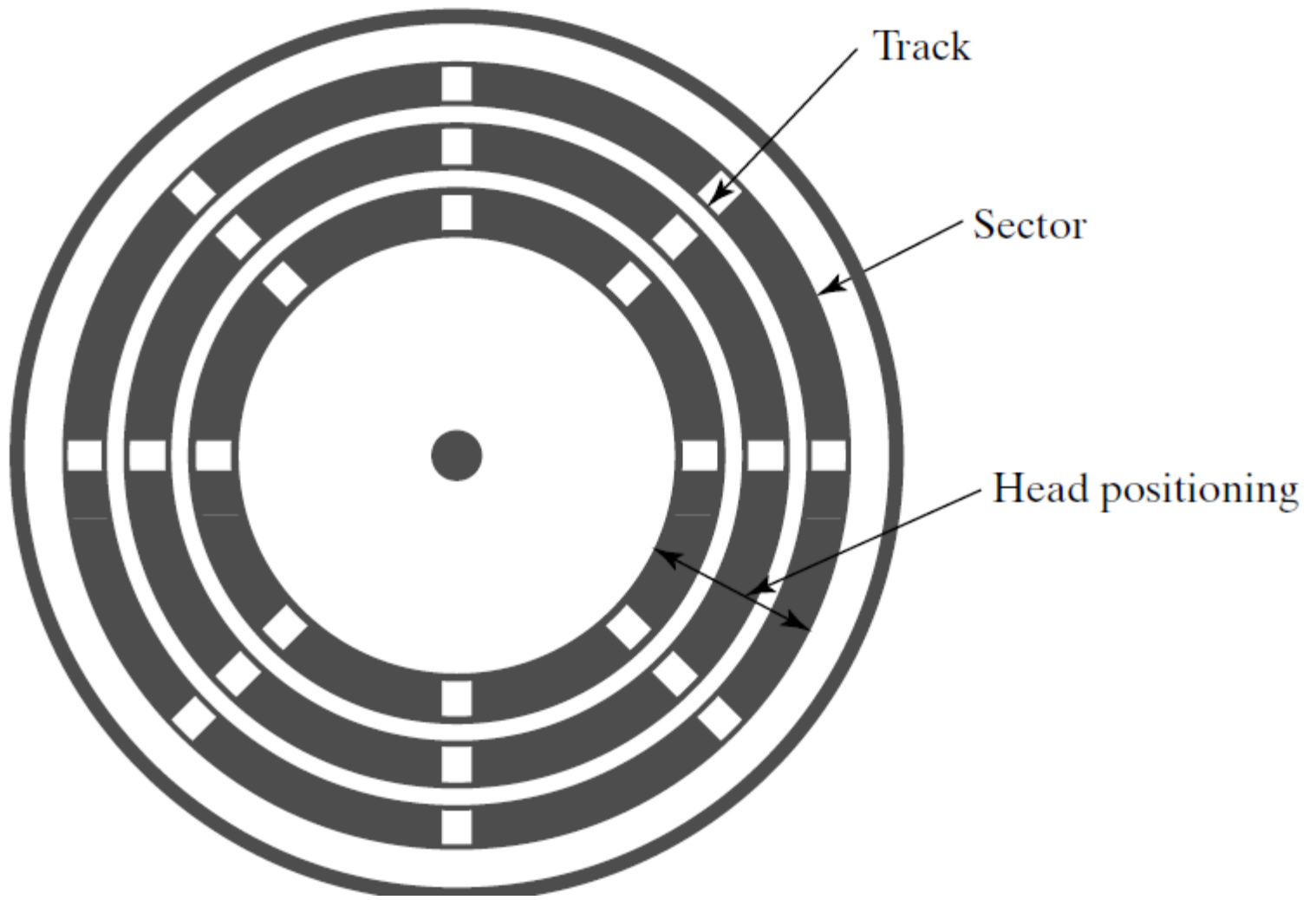
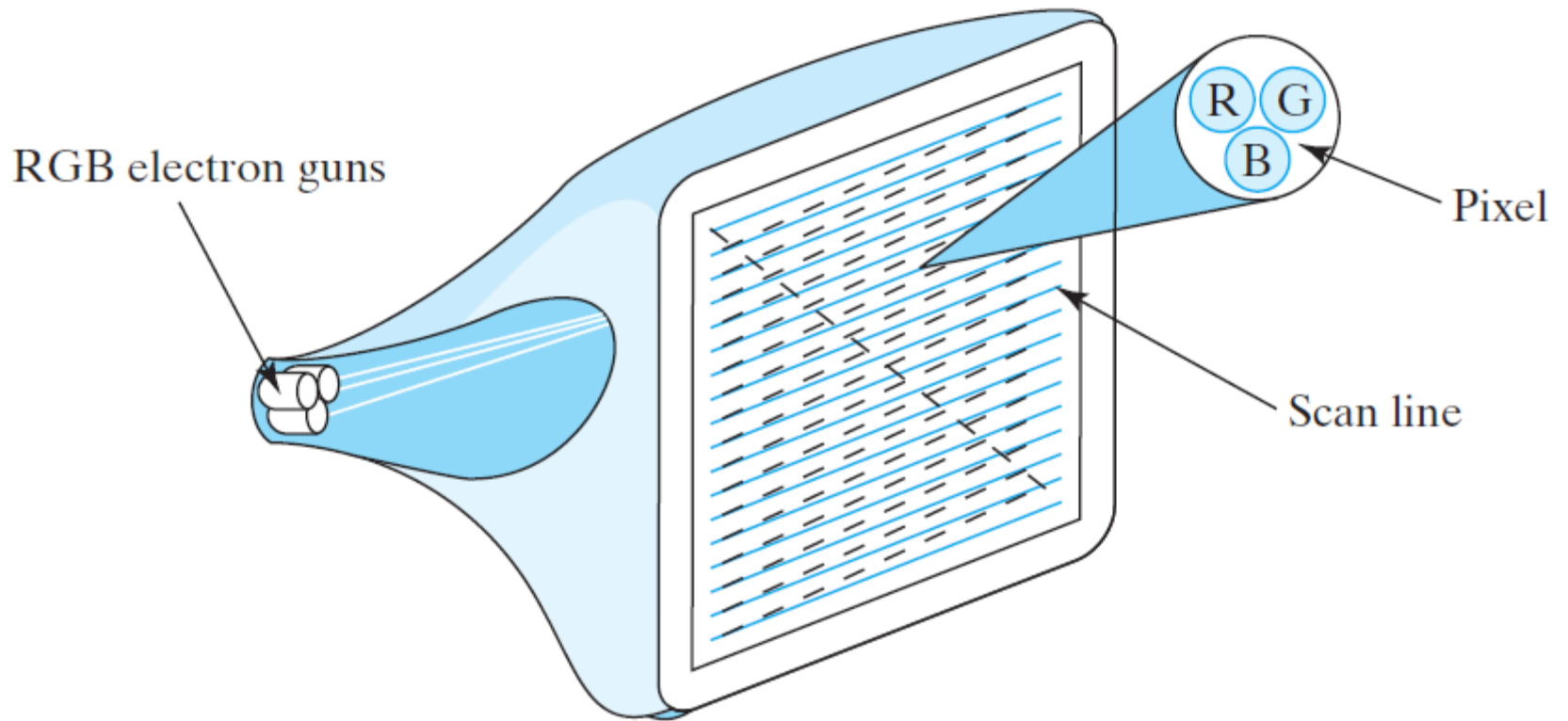
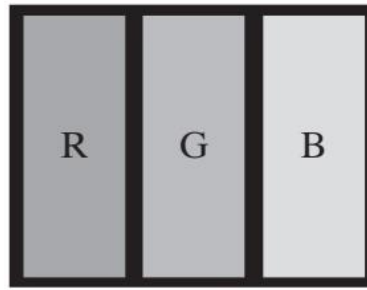


Input- Output

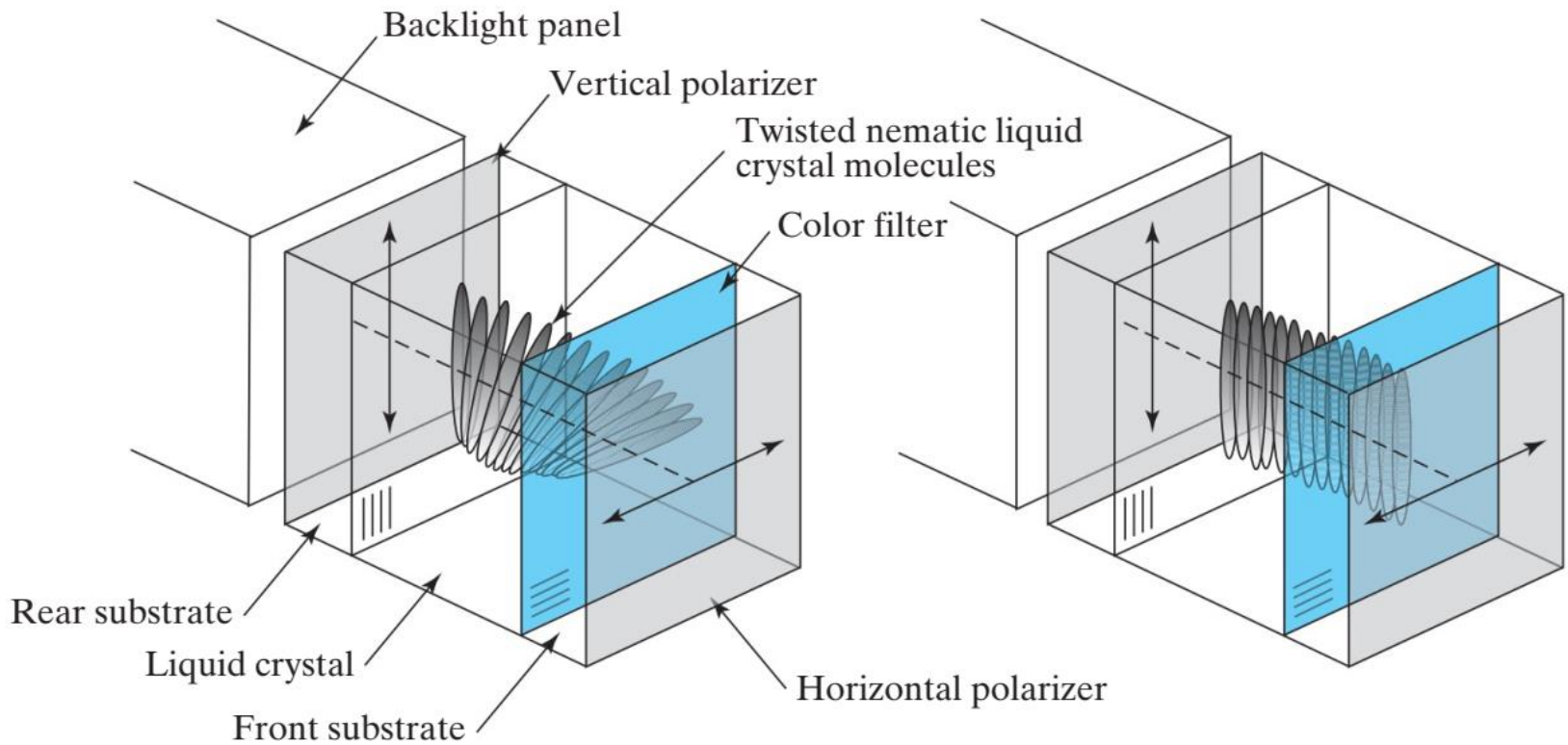






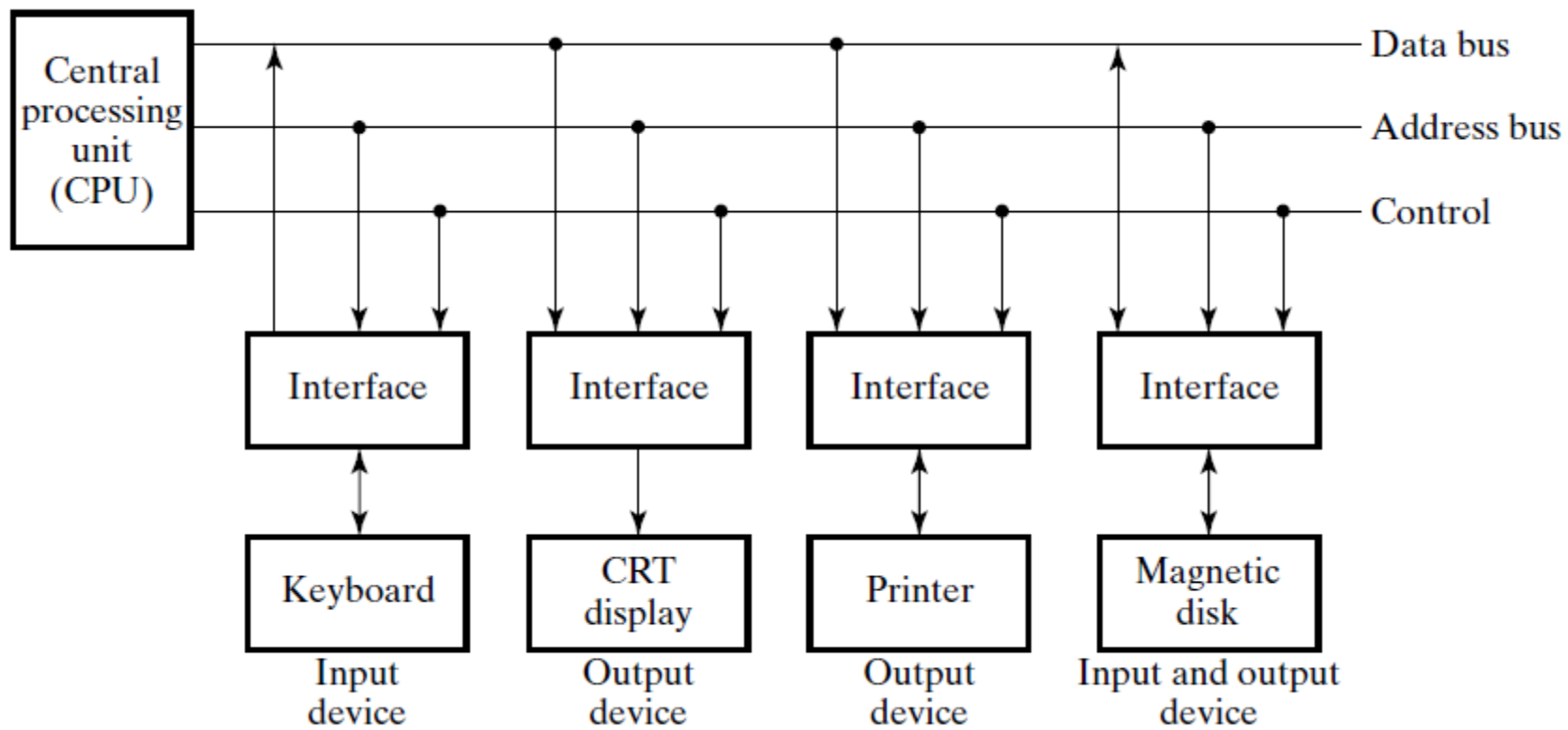


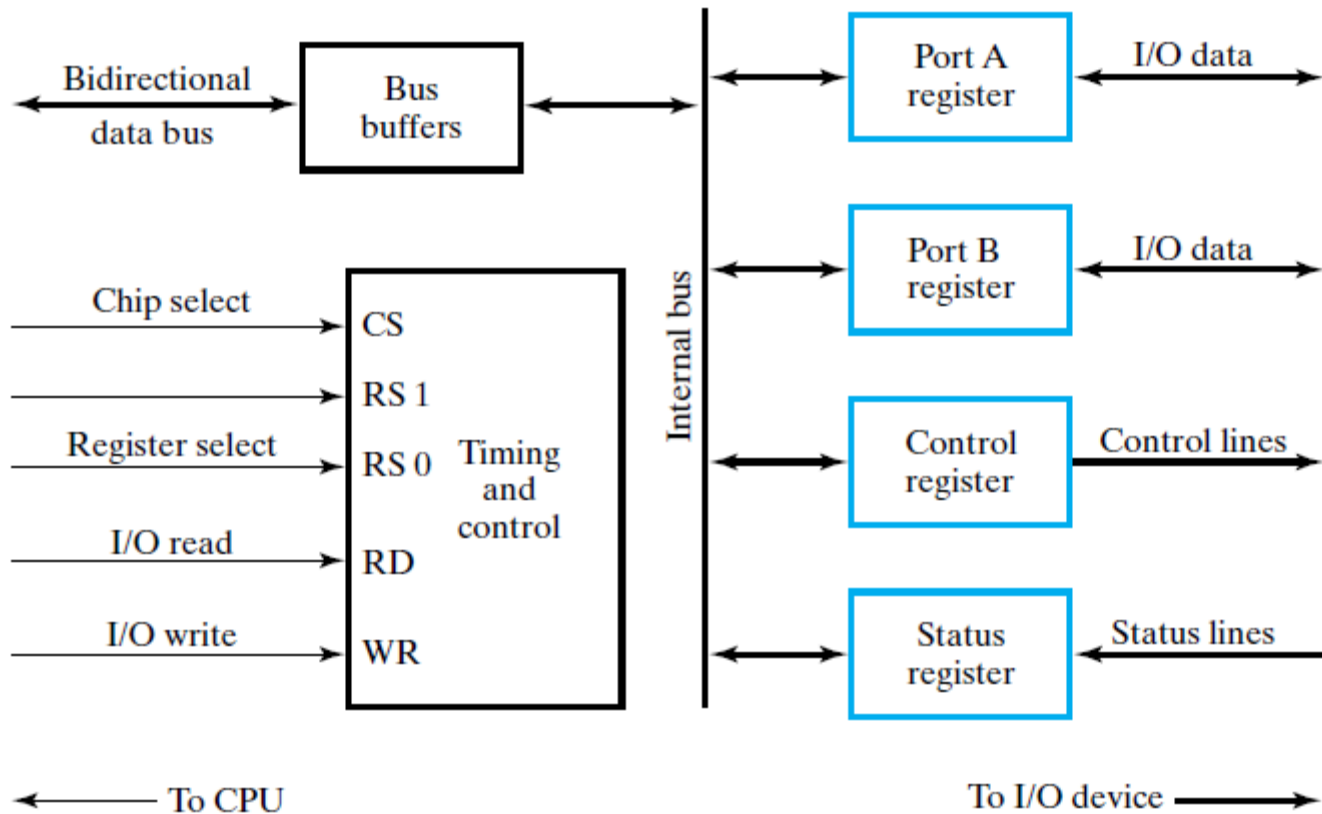
(a) LCD screen pixel



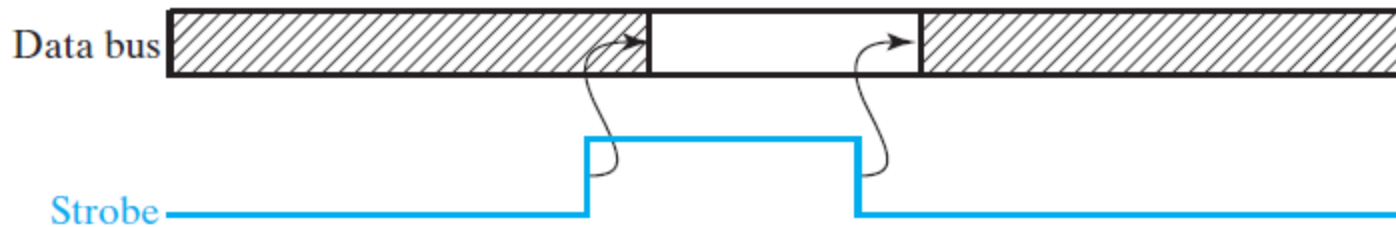
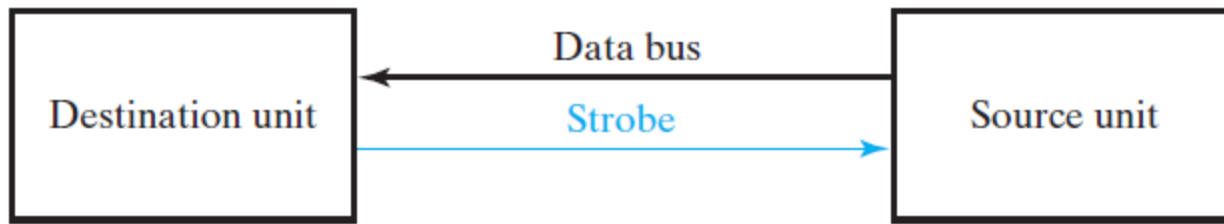
(b) Twisted nematic LCD technology

(c) Twisted nematic LCD with maximum voltage applied

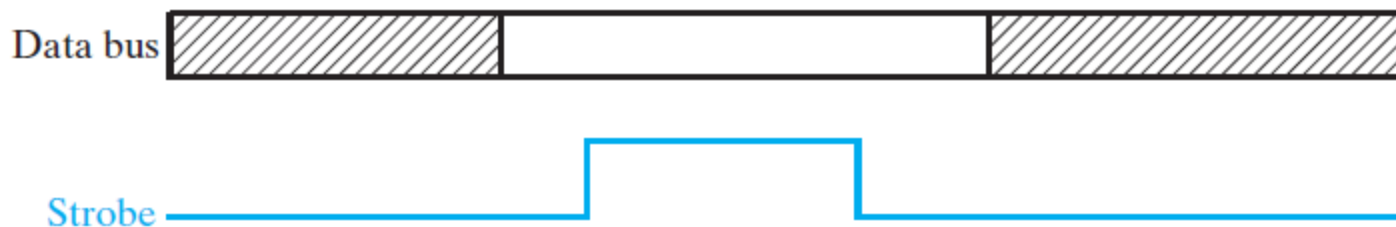
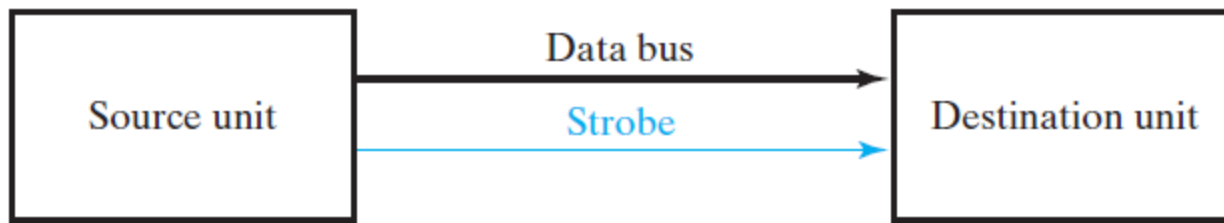




CS	RS1	RS0	Register selected
0	x	x	None: data bus in high-impedance state
1	0	0	Port A register
1	0	1	Port B register
1	1	0	Control register
1	1	1	Status register

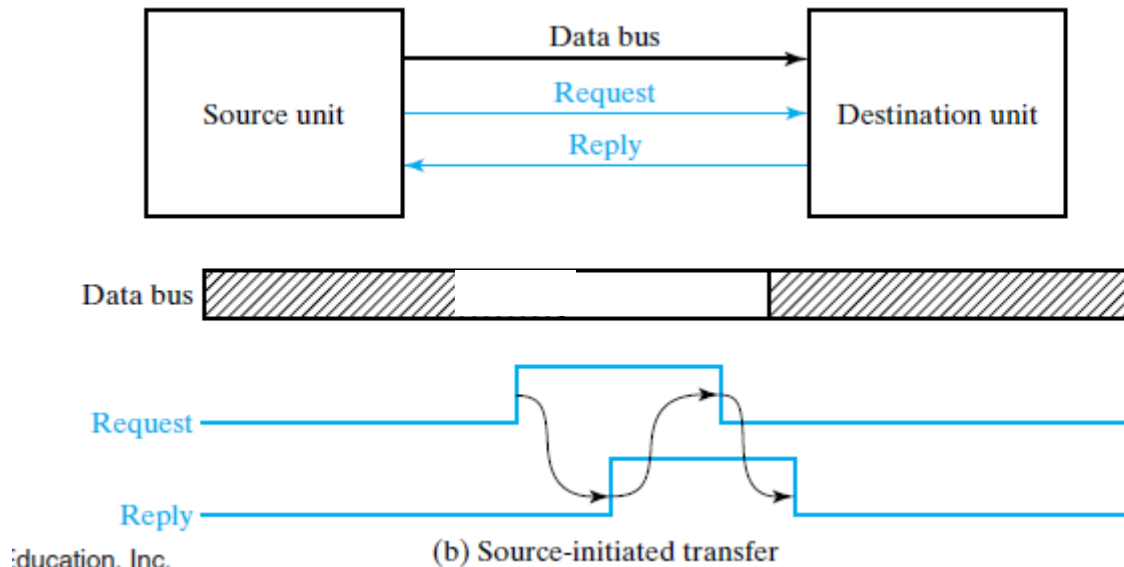
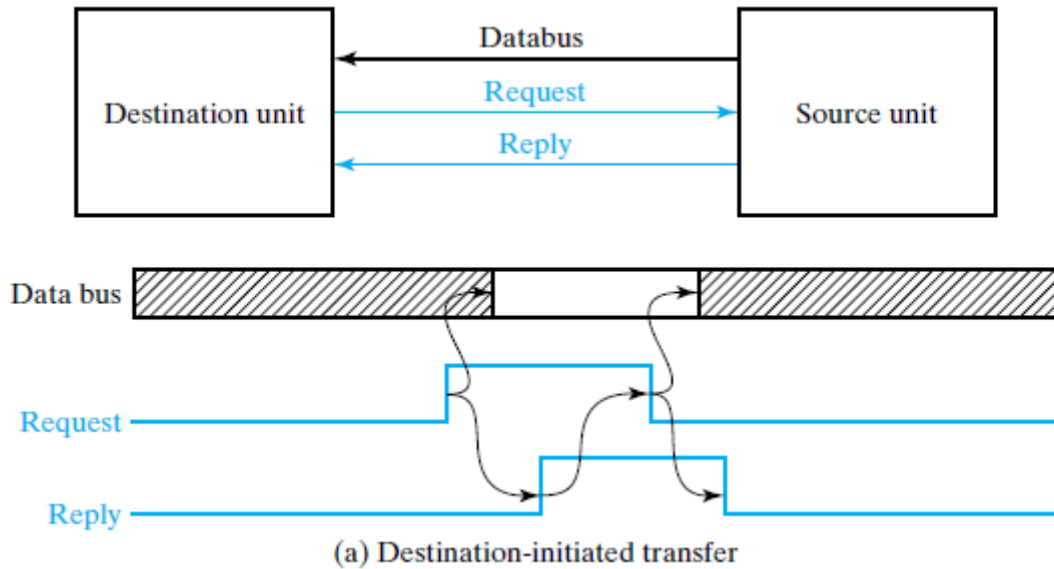


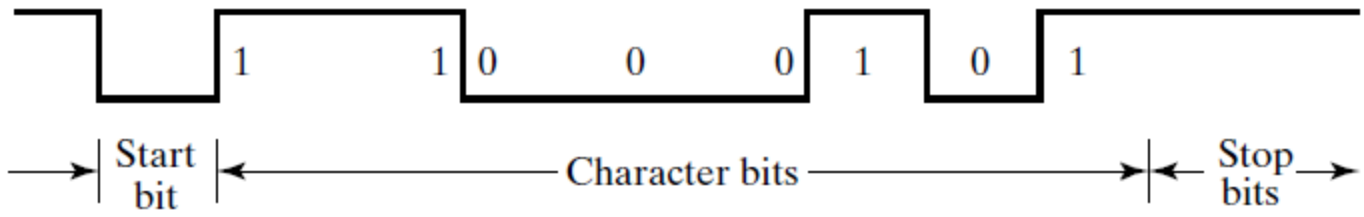
(a) Destination-initiated transfer

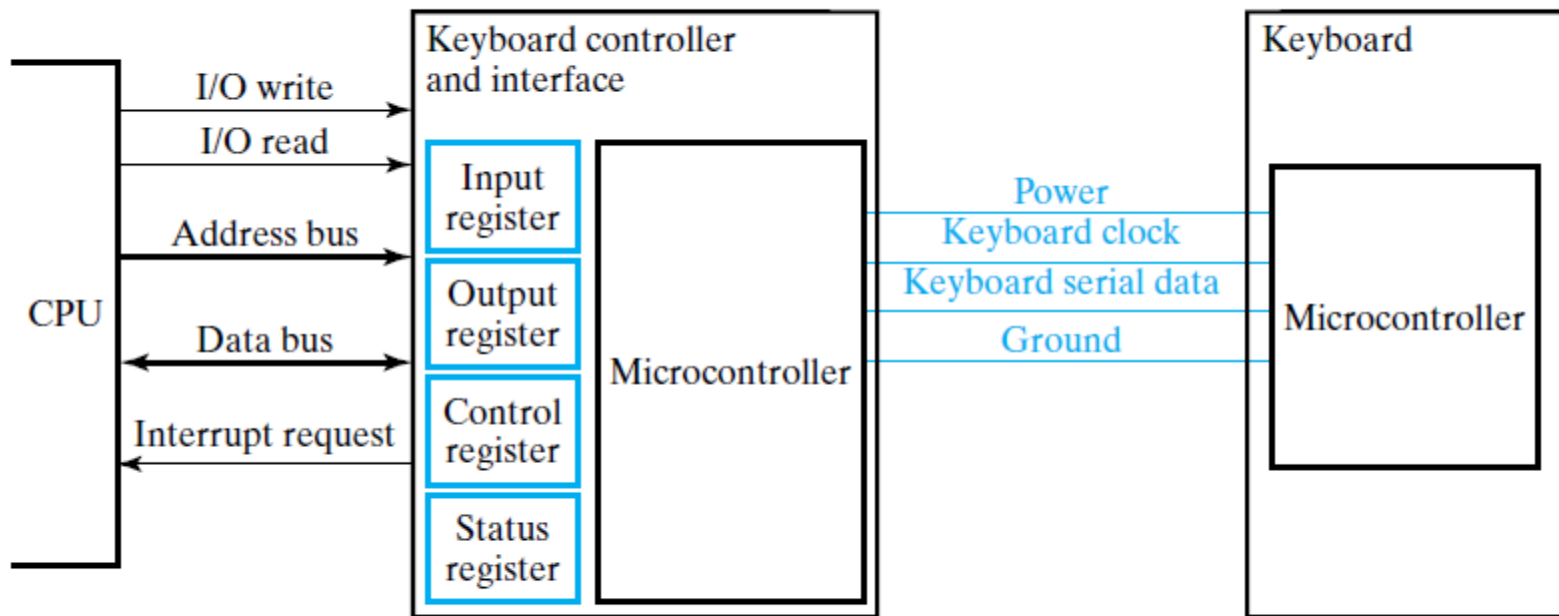


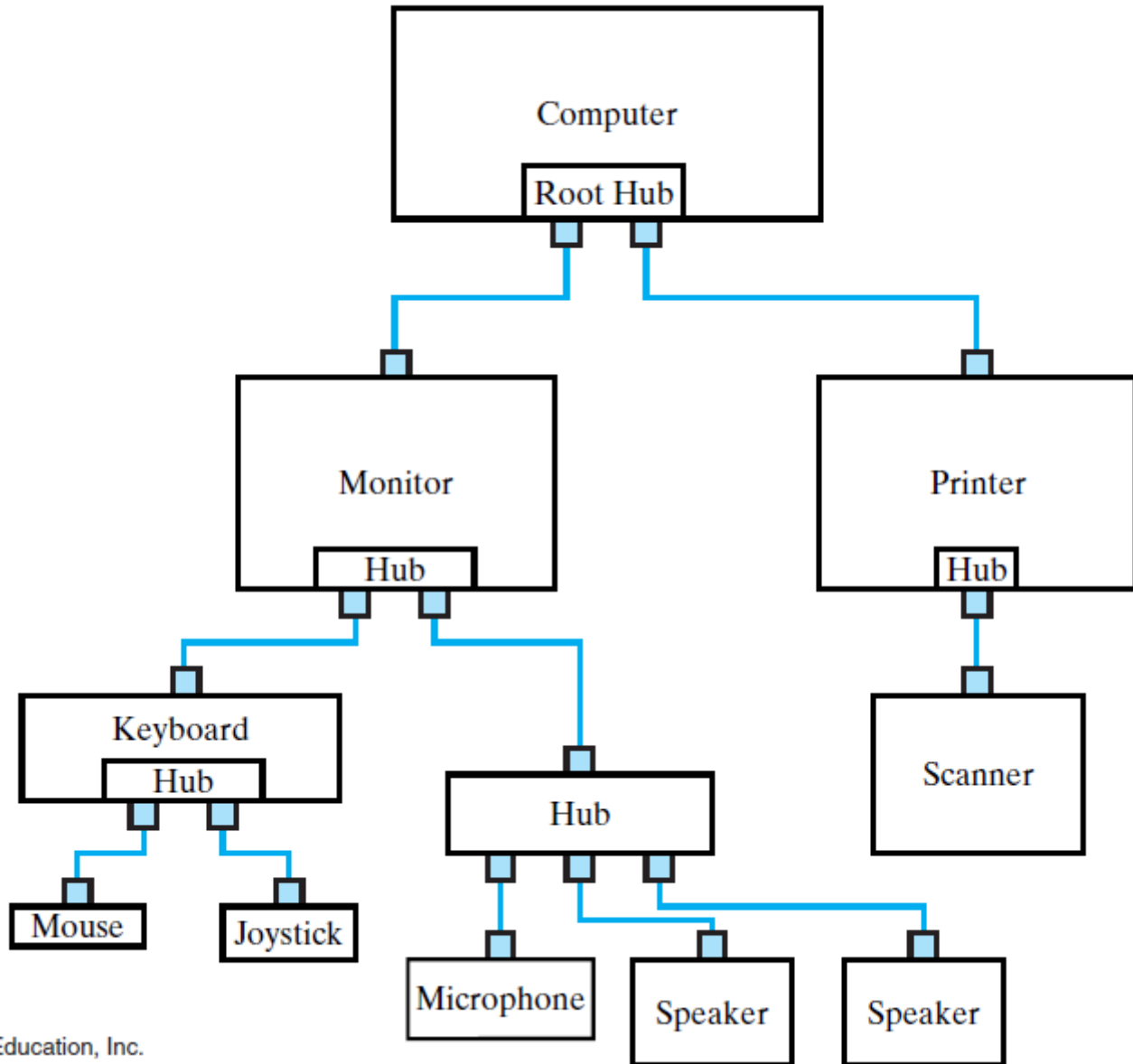
(b) Source-initiated transfer

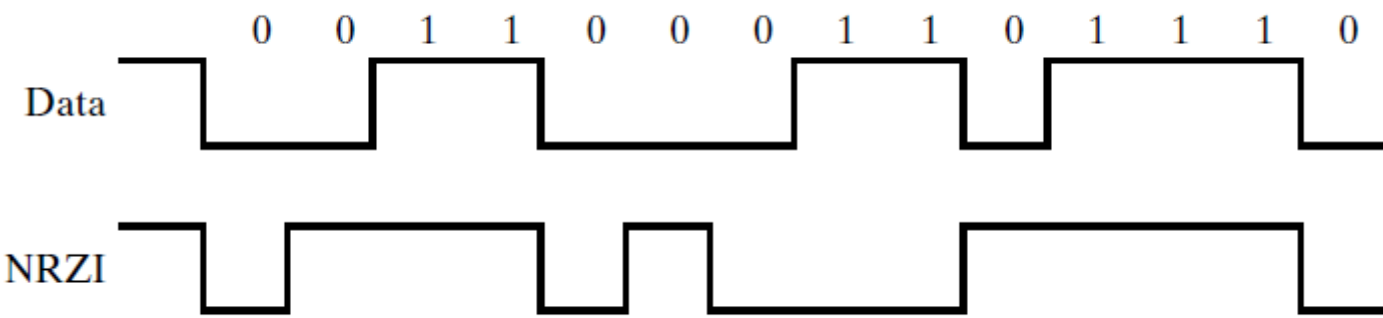






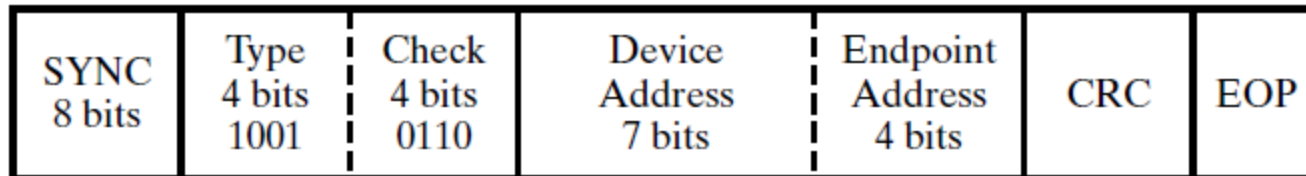




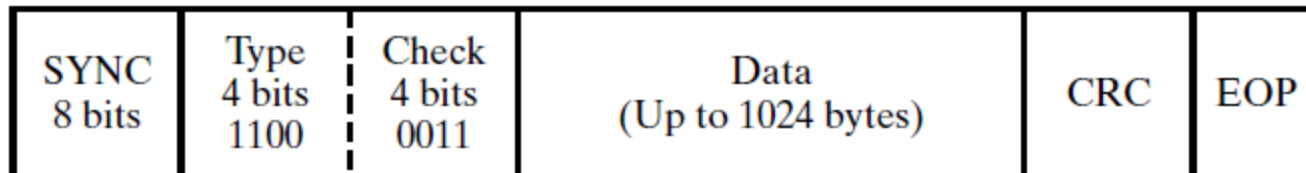




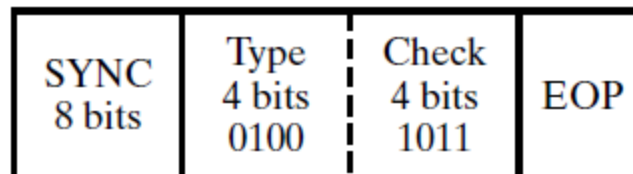
(a) General packet format



(b) Output packet



(c) Data packet (Data0 type)



(d) Handshake packet (Acknowledge type)

