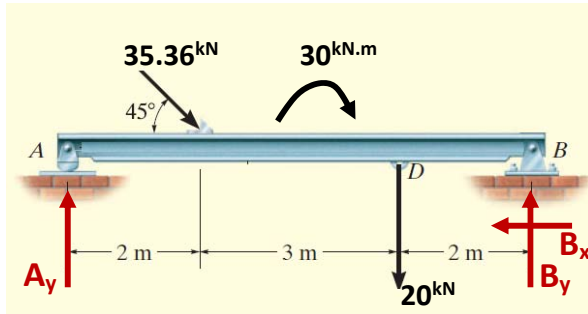


SOLUTION OF ASSIGNMENT 2

Q1) Determine A and B support reactions. (Note : Realize that the A support is a type of roller support)



Solution : B is pinned and A is roller support (rocker type)

$$\Sigma \bar{X} = 0 \rightarrow 25 - B_x = 0 \rightarrow B_x = 25 \text{ kN}$$

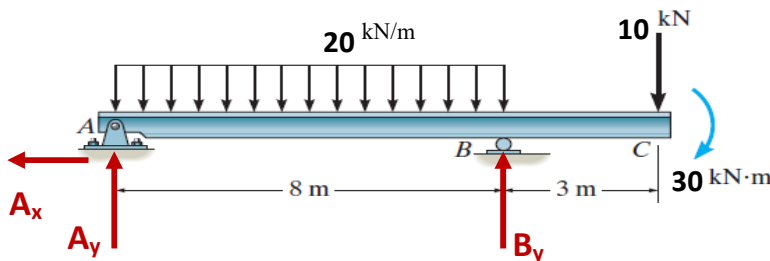
$$\Sigma M_A = 0 \rightarrow 30 + 20 * 5 - B_y * 7 + (35.36 * 0.707) * 2 = 0 \rightarrow B_y = 25.71 \text{ kN}$$

$$\Sigma M_B = 0 \rightarrow A_y * 7 + 30 - 20 * 2 - (35.36 * 0.707) * 5 = 0 \rightarrow A_y = 19.29 \text{ kN}$$

Control equation :

$$\uparrow \Sigma Y = 0 \rightarrow 19.29 + 25.71 - 20 - 25 = 0 \quad \checkmark$$

Q2) Determine A and B support reactions.



Solution : A is pinned and B is roller support

$$\Sigma \bar{X} = 0 \rightarrow A_x = 0$$

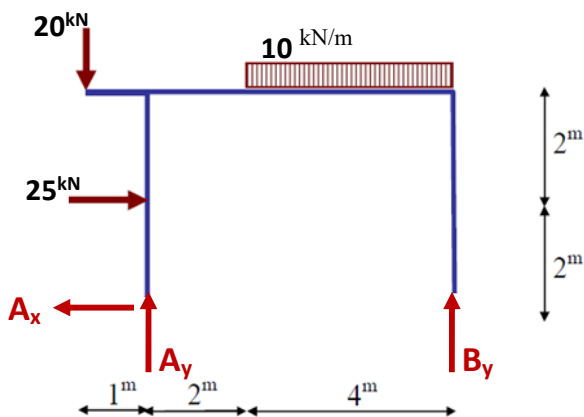
$$\Sigma M_A = 0 \rightarrow 20 * 8 * 4 - B_y * 8 + 10 * 11 + 30 = 0 \rightarrow B_y = 97.5 \text{ kN}$$

$$\Sigma M_B = 0 \rightarrow A_y * 8 - 20 * 8 * 4 + 10 * 3 + 30 = 0 \rightarrow A_y = 72.5 \text{ kN}$$

Control equation :

$$\uparrow \Sigma Y = 0 \rightarrow 97.5 + 72.5 - 20 * 8 - 10 = 0 \quad \checkmark$$

Q3) Determine A and B support reactions.



Solution : A is pinned and B is roller support

$$\Sigma \bar{X} = 0 \rightarrow 25 - A_x = 0 \rightarrow A_x = 25 \text{ kN}$$

$$\Sigma M_A = 0 \rightarrow 10 * 4 * 4 - B_y * 6 + 25 * 2 - 20 * 1 = 0 \rightarrow B_y = 31.67 \text{ kN}$$

$$\Sigma M_B = 0 \rightarrow A_y * 6 + 25 * 2 - 10 * 4 * 2 - 20 * 7 = 0 \rightarrow A_y = 28.33 \text{ kN}$$

Control equation :

$$\uparrow \Sigma Y = 0 \rightarrow 31.67 + 28.33 - 10 * 4 - 20 = 0 \quad \checkmark$$