

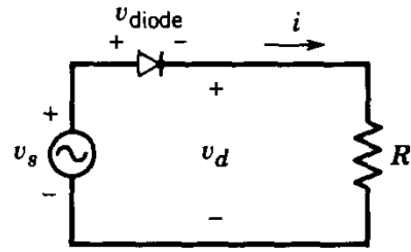
---

# POWER ELECTRONIC

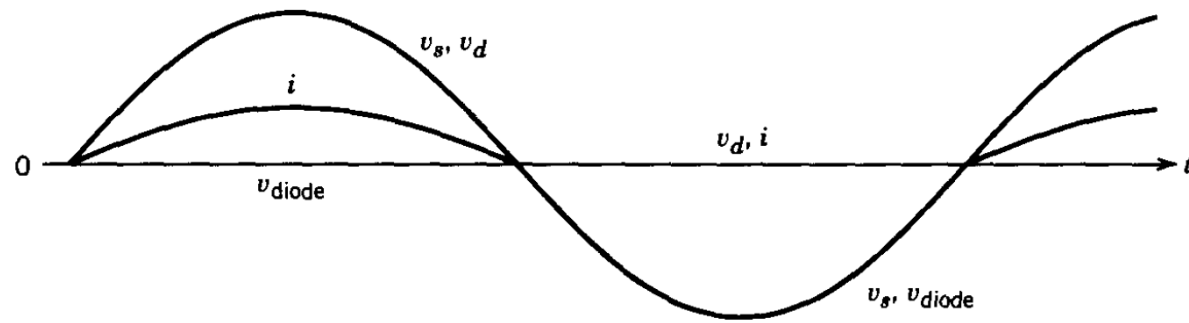
## 7

2022, Istanbul

# Uncontrolled Rectifiers

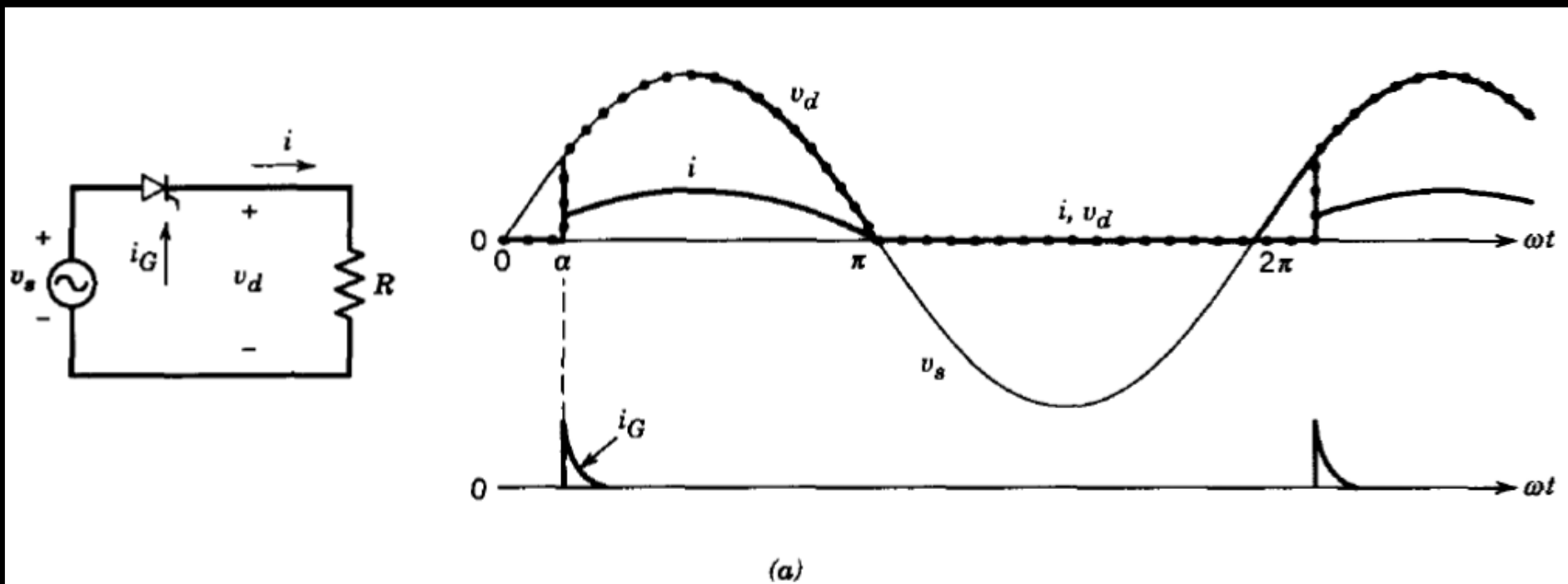


(a)

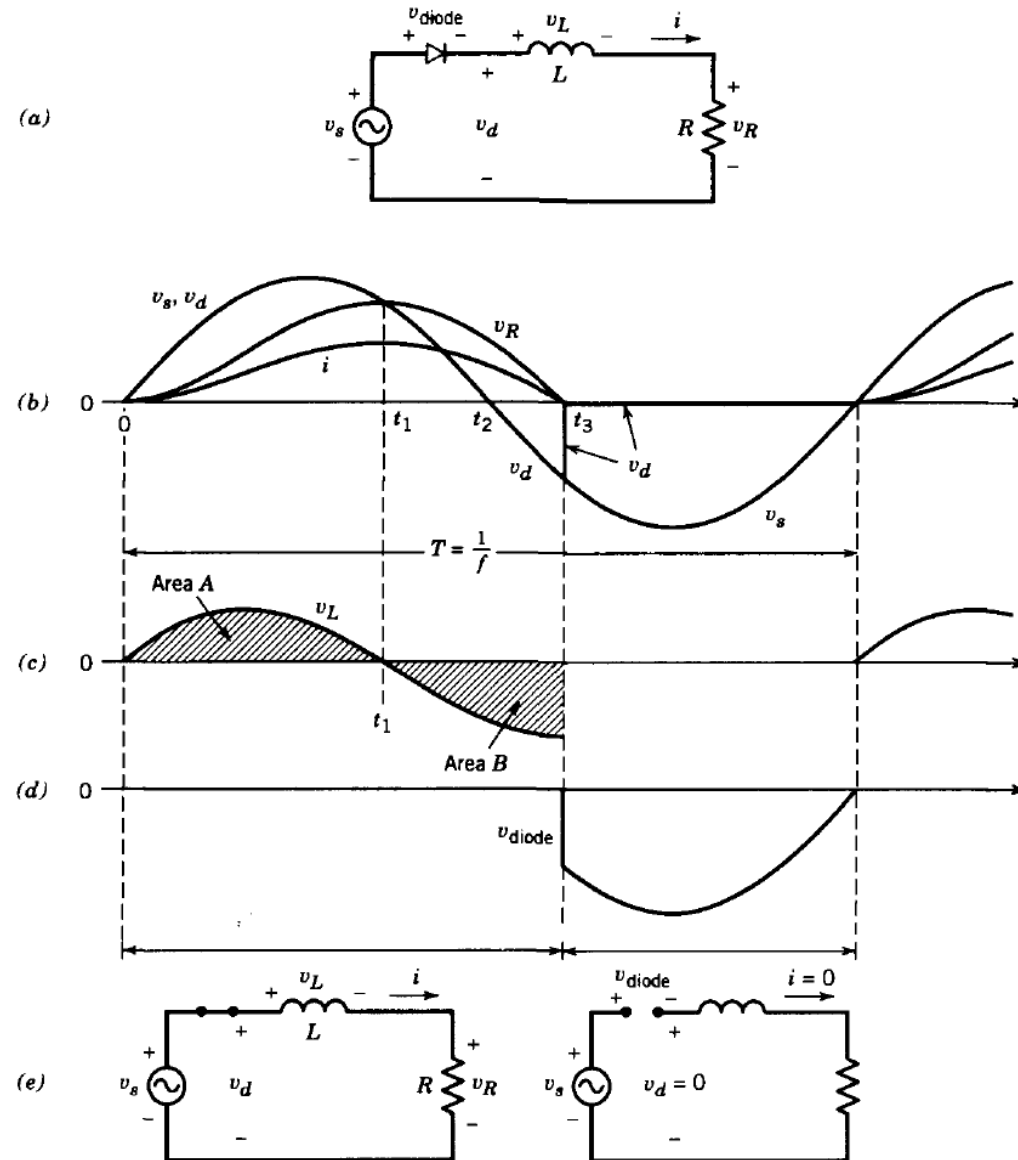


(b)

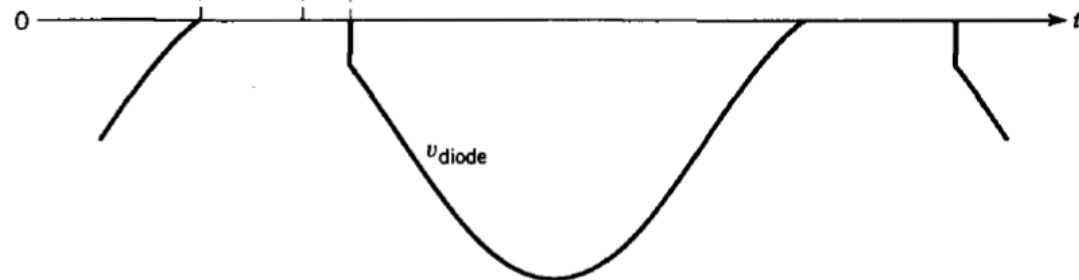
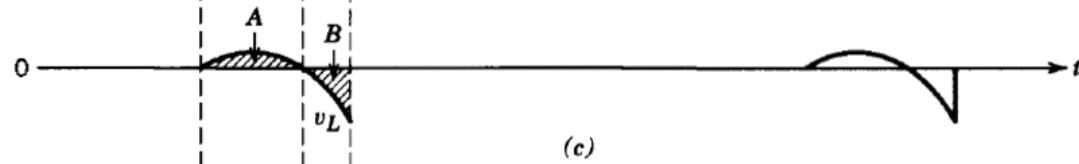
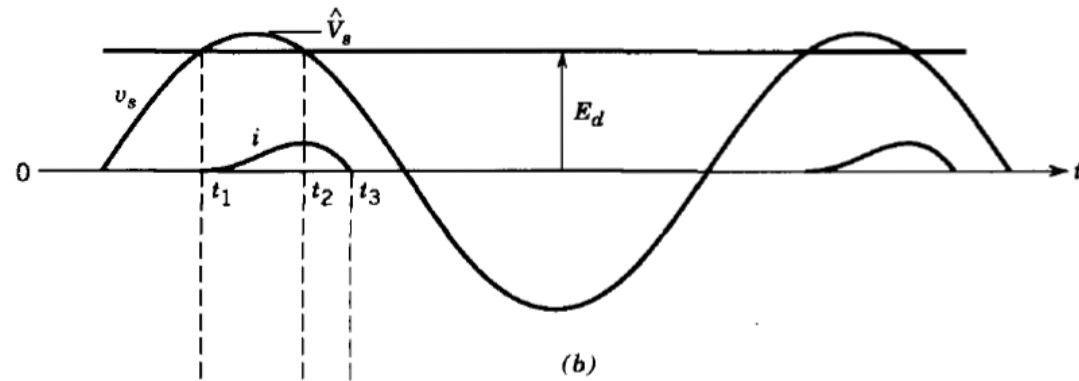
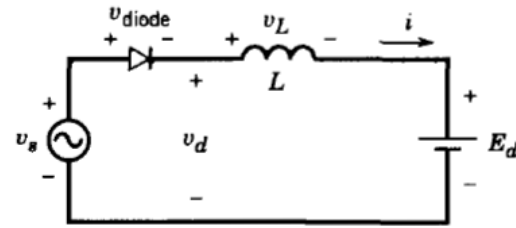
# Controlled Rectifiers



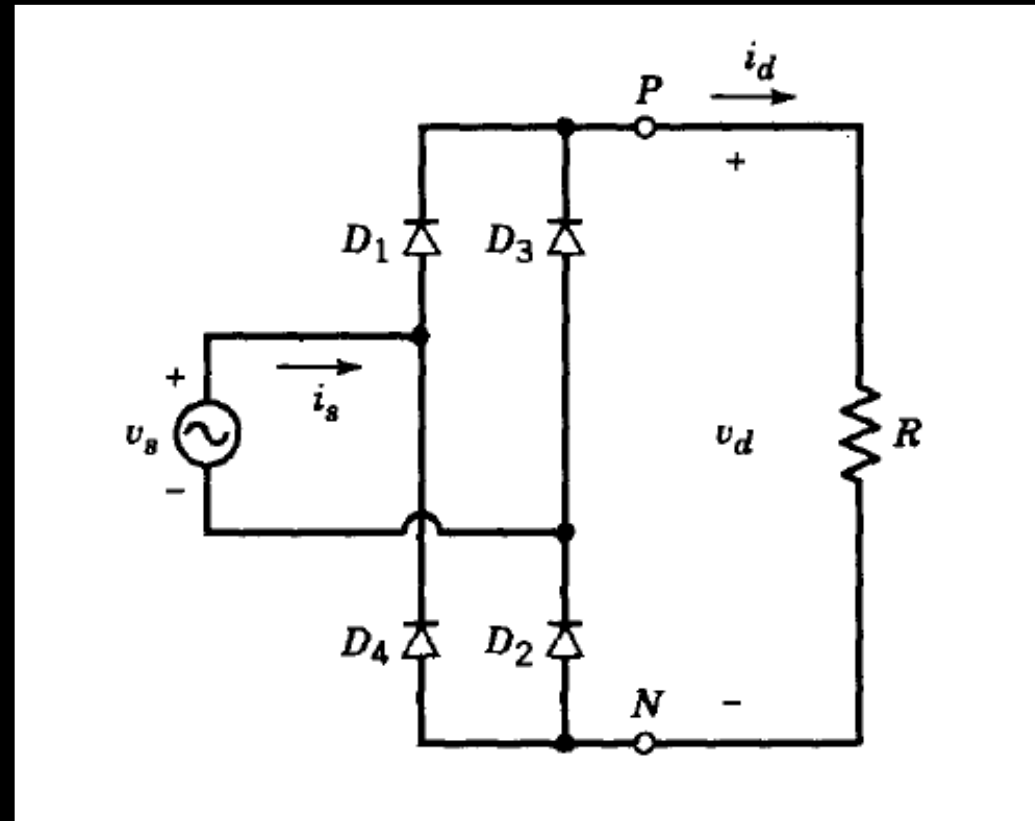
# Uncontrolled Rectifiers For Inductive Load



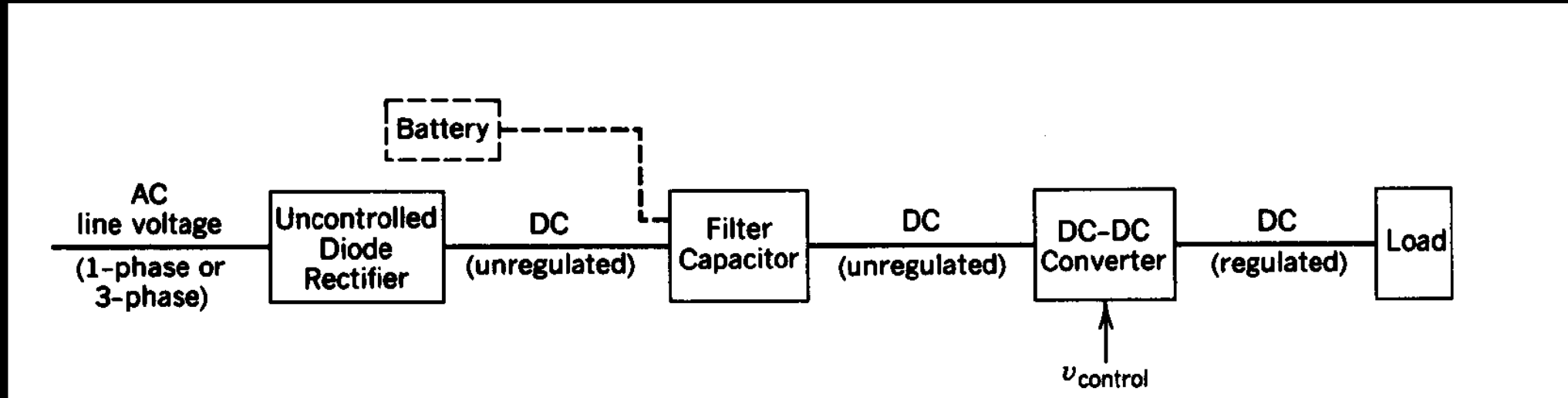
# Uncontrolled Rectifiers



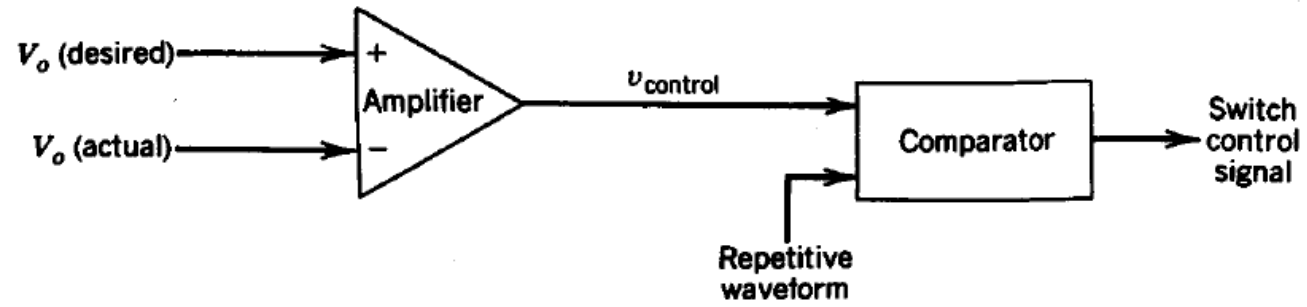
# Uncontrolled Rectifiers



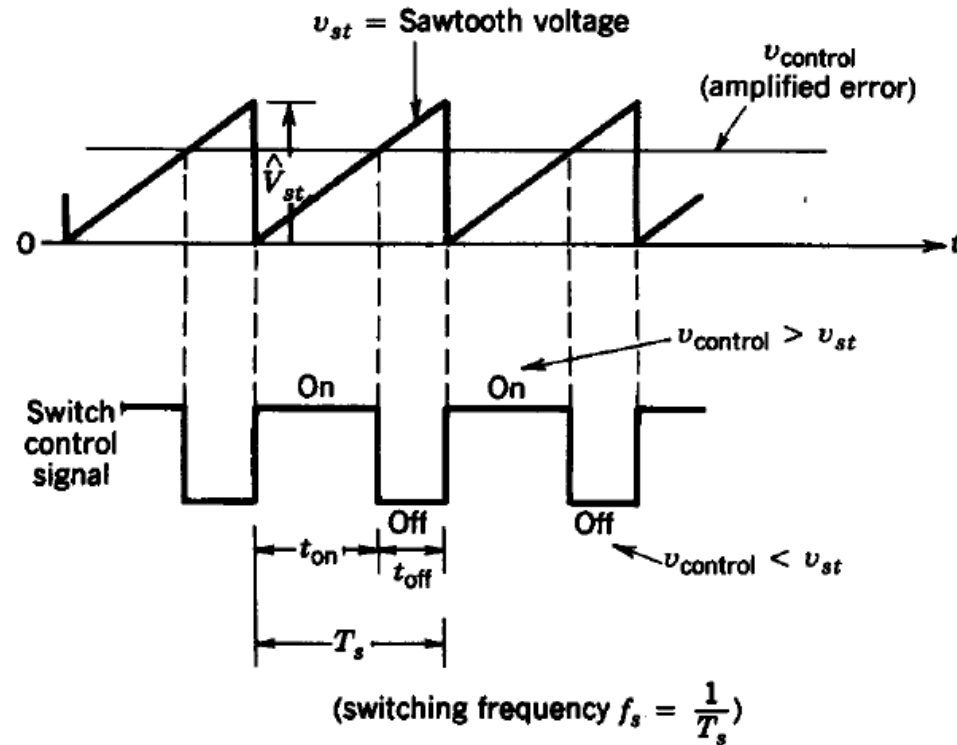
# Dc-Dc Converters



# Dc-Dc Converters

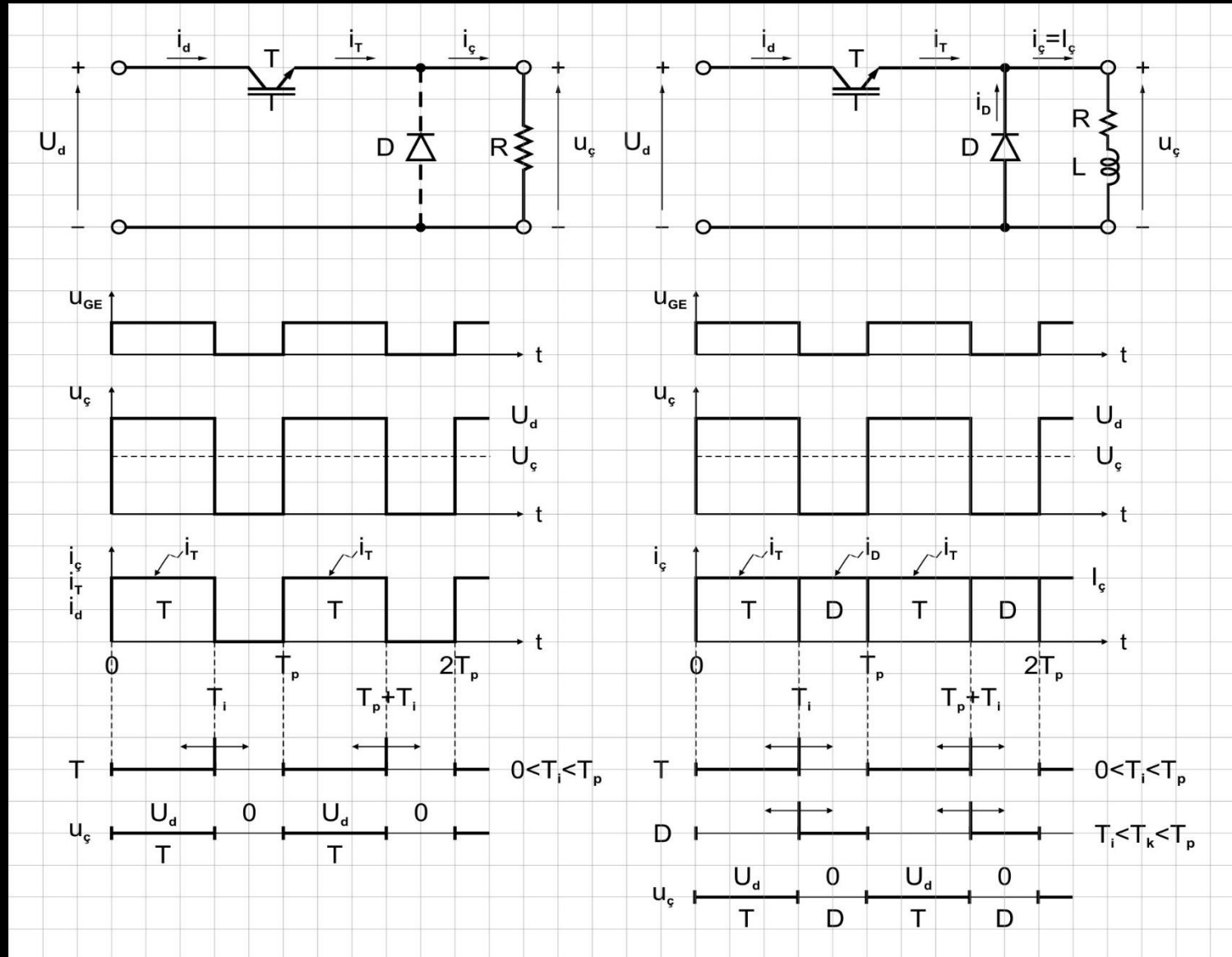


(a)





# Dc-Dc Converters



# Dc-Dc Converters

